

## Sensor-switched outdoor light

# L 10 S

black  
EAN 4007841 084769  
Article number 084769



### Function description

Nostalgia meets the modern era. Sensor L 10 S wall light featuring a nostalgic design yet modern lines. Suitable for any E27 bulb of choice (not included). Easy to fit thanks to few screws. With an integrated reflector foil below the cover for optimal illumination. Detection: 180°, individually adaptable thanks to innovative, push-fit cover clips. Brightness range (2-2000 lx) and run-on time (5 sec. to 60 min.) adjustable via potentiometer. Delivered in plastic-free packaging.

### Technical specifications

Dimensions (L x W x H)	224 x 175 x 255 mm
With lamp	No
Manufacturer's Warranty	3 years
Settings via	Potentiometers
With remote control	No
Version	black
PU1, EAN	4007841084769
Application, place	Outdoors
Application, room	front door, courtyard & driveway, all round the building, terrace / balcony
Colour	black
includes sheet of self-adhesive numbers	No
Installation site	wall
Impact resistance	IK03
IP-rating	IP44
Protection class	II

Switching output 1, low-voltage halogen lamps	1000 VA
LED lamps < 2 W	16 W
LED lamps > 2 W < 8 W	64 W
LED lamps > 8 W	64 W
Capacitive load in $\mu\text{F}$	132 $\mu\text{F}$
Mounting height max.	3,00 m
Slave modeselectable	No
Reach, radial	$r = 3 \text{ m}$ (14 $\text{m}^2$ )
Reach, tangential	$r = 7.5 \text{ m}$ (88 $\text{m}^2$ )
Cover material	Cover clips
Lamp	All-purpose lamp
Base	E27
Functions	Motions sensor
Twilight setting	2 – 2000 lx
Time setting	5 s – 60 Min.
Basic light level function	No

Sensor-switched outdoor light

# L 10 S

black

EAN 4007841 084769

Article number 084769



## Technical specifications

Ambient temperature	from -20 up to 40 °C
Housing material	Plastic
Cover material	Plastic, structured
Output	15 W
Fluorescent lamps, electronic ballast	1000 W
Fluorescent lamps, uncorrected	500 VA
Fluorescent lamps, series-corrected	500 VA
Fluorescent lamps, parallel-corrected	500 VA

Main light adjustable	No
Twilight setting TEACH	No
Interconnection	Yes
Interconnection via	Cable
Optimum mounting height	2,5 m
Detection angle	180 °
Product category	Sensor-switched outdoor light

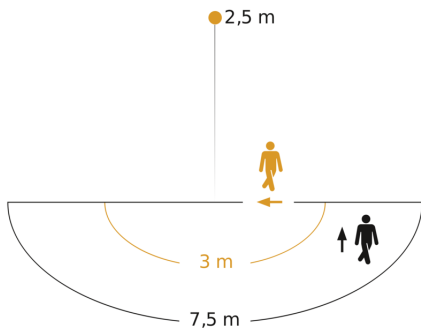
Sensor-switched outdoor light

# L 10 S

black  
EAN 4007841 084769  
Article number 084769

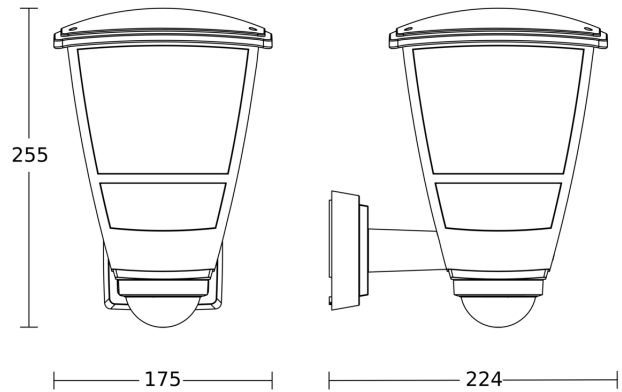


## Detection Zone

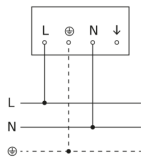


Possible mounting height: 2,00 m - 3,00 m  
Orange: radial  
Black: tangential

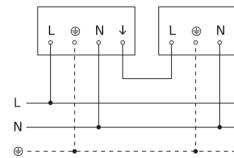
## Dimension Drawing



## Master circuit diagram



## Master/slave interconnection circuit diagram



Sensor-switched outdoor light

# L 10 S

black

EAN 4007841 084769

Article number 084769



## Master/master interconnection circuit diagram

